

Vi Premium Chlorinator

THE BEST OPTION FOR YOUR POOL - SAFE AND HEALTHY POOL WATER, LOW MAINTENANCE AND FULL CONTROL OF YOUR POOL EQUIPMENT!

There have been many ways and methods produced and promoted to sanitize your pool water but few are as effective, safe and reliable as a salt or mineral chlorinator. For your pool to be safe to swim in, algae and bacteria needs to be eliminated. The chlorinator cell instantly kills algae and bacteria as the pool water passes through the cell but in addition, it creates a residual sanitiser level which stays in the pool water, killing contaminants as they enter the water in any part of the pool.

Now taking the salt or mineral chlorinator to the next level is the Vi premium chlorinator from Insnrg. The Vi premium chlorinator uses the popular Ni chlorinator system as the base and the designers at Insnrg have added pH and chlorine probes to continuously monitor and control exactly what your pool needs to maintain the safest and healthiest pool water possible. The Vi premium chlorinator will ensure your pool is always ready to swim in.

WHY CHOOSE INSNRG'S Vi CHLORINATOR?

DURABLE AND RELIABLE

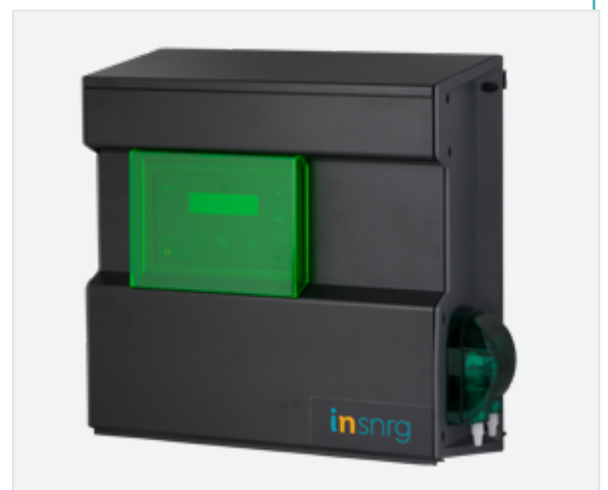
Insnrg uses high quality components throughout and the Vi premium chlorinator has been designed and manufactured to withstand the harshest of outdoor conditions that pool equipment endure. The controller housing is sealed to prevent insect ingress and built with a large heat sink to reduce the temperature of electronic components.

CHEMICAL SAVINGS

Maintaining the correct level of pH and Chlorine is vital for the best quality water and eliminating algae and bacteria. Insnrg have created a system using probes and an Acid dosing pump to make this a breeze. The pH and Chlorine probes are checking their levels every 15 mins (like visiting a pool shop over 30 times a day!). Depending on the levels achieved the system will automatically dose or turn the cell on or off to make sure the water is balanced. The small investment to upgrade your chlorinator will provide the best quality water at anytime of the year. Ideal for your busy family who doesn't have the time to continuously test and balance the water.

INBUILT POOL ACID DOSER

Virtually eliminates physical handling of Pool Acid by automatically dosing according to your pool needs. Safe and reliable!



UNIQUE CELL DESIGN

A unique cell tilt sensor ensures correct installation and enhancing the safety of your pool. In addition, the cell is designed for a large range of flow rates which is especially desirable with today's modern variable speed pool pumps. The ability to process both low and high water flow rates ensures the water covers all critical cell components improving efficiency and the life of your chlorinator.

MORE FEATURES & BENEFITS

SO MANY CONTROL OPTIONS!

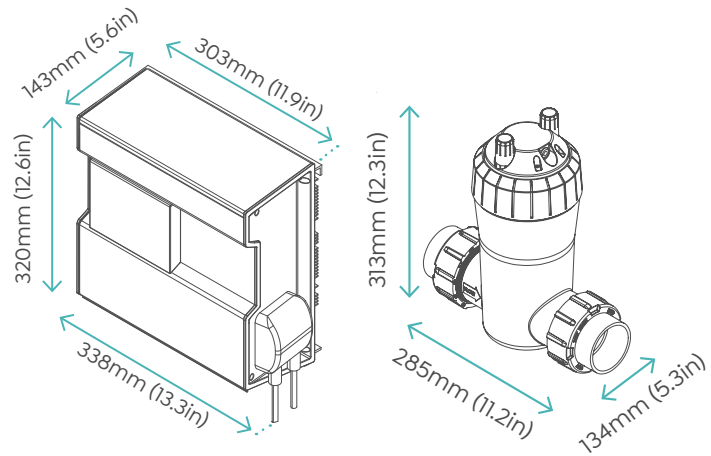
The Vi premium chlorinator comes complete with additional GPO electrical plugs that enable you to plug in other electrical devices to control. If you have a water feature pump, some pool lights or even some speakers these can be connected and controlled by your chlorinator. In addition, there are 3 valve actuator ports to allow control for pool/spa combinations, or water features, no need to guess in the dark and turn your valves to get the right water flow, this is done with the touch of a button.

YOUR CHOICE, SALT, MINERALS OR ULTRA LOW SALT LEVELS.

Mineral Pools are becoming more popular due to the superior water quality and feel that can be produced by adding small amounts of minerals to your swimming pool water. The Vi premium chlorinator is not only suitable for standard salt pools, you can also utilize on any mineral pool system and still obtain the same high performance. Or you can choose to have the salt level below 2000 ppm in your pool and simulate a fresh water swimming experience. Insnrg's Vi premium chlorinator is possibly the most flexible on the market.

REMOTE CONTROL AT YOUR FINGER TIPS

Combine with Insnrg's inTouch pool automation app so that you can monitor your water chemistry, change outputs and timer periods all from your smart phone or tablet.



DIMENSIONS & SPECS

MODEL	Ni 25		Ni 40	
OUTPUT (g/hr)	25		40	
RECOMMENDED MAXIMUM POOL VOLUME				
	Litres	Gallon	Litres	Gallon
TROPICAL (Ave 20°C/68°F)	50,000	13,200 Gal	80,000	21,100
TEMPERATE (Ave 15°C/60°F)	95,500	25,100 Gal	152,000	40,200
LOW SALT (Between 2-3,000ppm)	50,000	13,200 Gal	80,000	21,100

RELAX, YOU'RE COVERED (WARRANTY & DEALER SUPPORT)

Your Vi Premium Chlorinator comes with a **3 year warranty** on the powerpack, a 1 year warranty on Acid Dosing system & Probes, and a **5 year warranty** on the cell. Check with your local pool professional about implementing a maintenance program to ensure you maximise the life and performance of your investment.

WANT MORE TECHNICAL DETAILS?

For the technically minded, go to www.insnrg.com/products

CONTACT YOUR LOCAL POOL PROFESSIONAL

