

Mi Sand Filter

THE IMPORTANCE OF YOUR FILTER

The right filter is essential to provide clean, healthy swimming water for you and your family. Removing the organic material that enters your pool not only makes it look great but removes the food that algae and bacteria need to feed on.

Using natural sand has been the most popular method of filtration for many years. This system mimics what happens in nature. Gently flowing water through a sand bed collects the majority of debris and particles allowing your water to sparkle. And the benefit of a sand filter is the easy to use multiport valve which makes cleaning the filter a breeze.

SO WHY CHOOSE AN INSNRG Mi SAND FILTER?

ONE PIECE TANK

The Mi Sand Filter tank has been manufactured in one piece to eliminate any possible leakage between joints that are glued or welded together.

ONE PIECE HEAVY DUTY, DURABLE FILTER TANK

Range of sizes perfectly matched to your requirements

HEAVY DUTY AND DURABLE

High density corrosion proof plastic has been used during manufacture to ensure the sand filter tank can withstand the demands of today's high performance pumps. The shape and depth of the Mi Sand filter is engineered to enable the correct quantity of filter media to ensure the finest particles are removed from your pool water.

EASY TO OPERATE MPV

The multiport valve (MPV) provides many options for you to control the direction of your pool water for superior results. Easy to clean using the Backwash and Rinse functions and well positioned sight glass will make the necessary cleaning quick, easy and not a chore. Maintenance, even though infrequent, is aided by the easy to remove hinged clamp band and quick disconnect barrel unions saving time and money when it is required.



MORE FEATURES & BENEFITS

LOW PRESSURE DROP

The Mi Sand filter incorporates a large underdrain and options of 50mm (2") water connections to enable higher flow rates using less energy from your pump. Higher water flow means your pool water is turned over in less time, allowing you to operate your pool pump less hours each day.

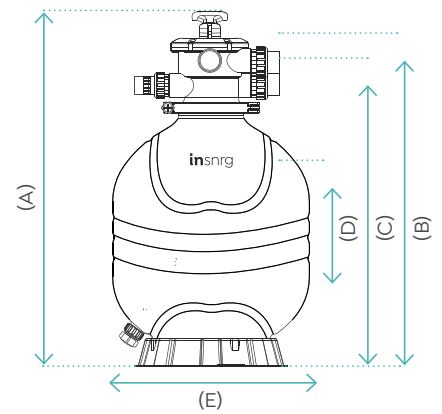
RANGE OF SIZES

4 models allow the ideal selection for your pool and its environment. Allow your pool professional to select the correct size for your pool and upgrade with a 50mm multiport valve to optimize the savings of your Qi Variable Speed Pump.

The Mi range of filters are also suitable for other media such as Glass or Zeolite that can provide superior cleaning results in certain applications. Check with your pool professional what is best for your pool and budget.



DIMENSIONS & SPECS



MODEL	Mi 250	Mi 320	Mi 350	Mi 400
A (mm / in)	980 / 38.5	1,032 / 40.6	1,133 / 44.6	1,178 / 46.3
B (mm / in)	860 / 33.8	873 / 34.3	976 / 38.4	1,021 / 40.2
C (mm / in)	800 / 31.5	807 / 31.8	910 / 35.8	955 / 37.6
D (mm / in)	280 / 11.0	280 / 11.0	300 / 11.8	370 / 14.6
E (mm / in)	600 / 23.6	600 / 23.6	675 / 26.6	775 / 30.5

PERFORMANCE CHART

	Mi 250	Mi 320	Mi 350	Mi 400
Filtration Area (m ²)	0.28	0.28	0.36	0.47
Filtration Area (ft ²)	3.00	3.00	3.88	5.06
Max Flow Rate (lpm)	250	320	350	400
Max Flow Rate (gpm)	66	84	92	105
Turnover Capacity – 8 Hours (Litre)	120,000	153,600	168,000	192,000
Turnover Capacity – 8 Hours (Gallon)	31,680	40,320	44,160	50,400
Sand Required (kg)	125	125	185	250
Sand Required (lb)	275	275	400	550
15kg Bags of Glass Media (Coarse/Fine)	3/4	3/4	4/7	5/10

RELAX, YOU'RE COVERED (WARRANTY & DEALER SUPPORT)

Your Mi Sand Filter comes complete with a **10 year tank and 1 year MPV warranty**. Refer to the Installation and Operating Manual or go to www.insnrg.com for full warranty details.

WANT MORE TECHNICAL DETAILS?

For the technically minded, go to www.insnrg.com/products

CONTACT YOUR LOCAL POOL PROFESSIONAL

