



# SUMMIT SERIES CARTRIDGE FILTER

For crystal clear, sparkling water

Summit Series cartridge filters are designed to house an extra large filter cartridge, maximising its dirt holding capacity and minimising filter maintenance.

The D225 & 270 filter's dome lid is equipped with grip handles that allows easy access to the filter cartridge for removal, cleaning and installation in a matter of minutes.

The Summit Series cartridge filters are ideal for applications where back washing may not be practical or areas where water may be scarce.



DISTRIBUTED BY:



ZZB2028 05/21

**PERTH**  
4/115 Belmont Avenue,  
Belmont, WA 6104  
Australia  
  
Phone: 1300 656 956  
Fax: 08 9361 3913  
Email: perth@autopool.com.au

**BRISBANE**  
Unit 2/5 Stockwell Place,  
Archerfield, QLD 4108  
Australia  
  
Phone: 1300 656 956  
Fax: 07 3272 9091  
Email: brisbane@autopool.com.au

**MELBOURNE**  
Australia  
  
Phone: 1300 656 956  
Email: melbourne@autopool.com.au

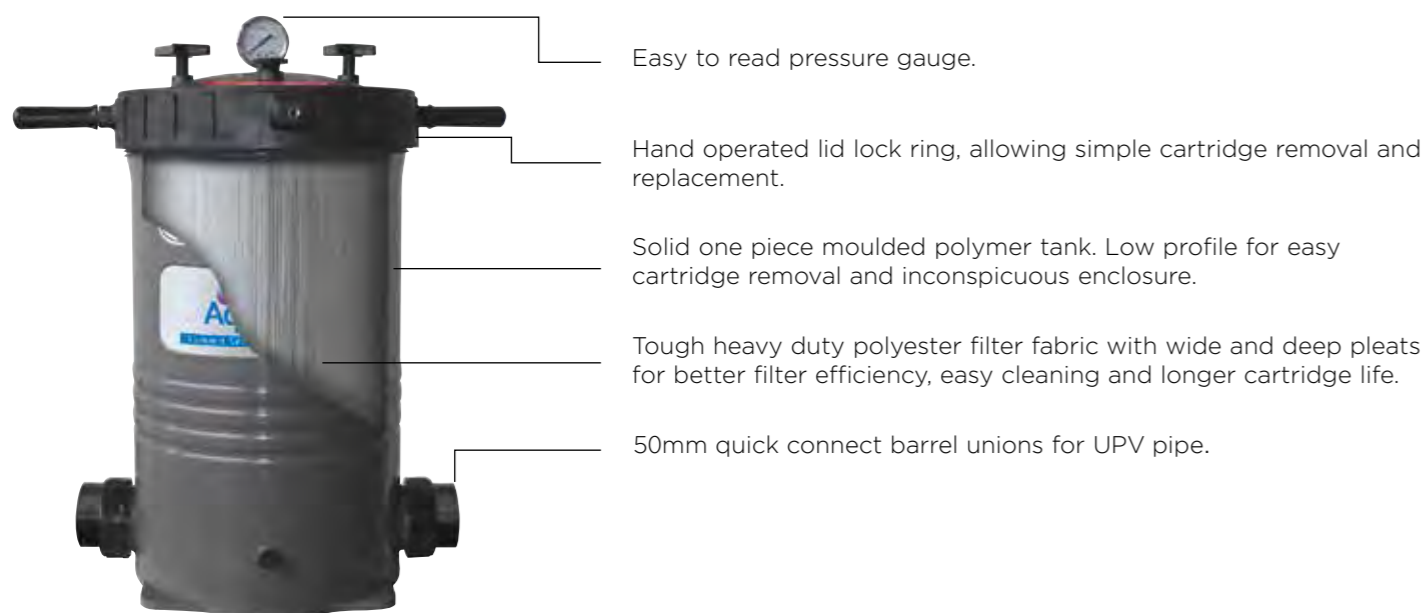
**SYDNEY**  
Australia  
  
Phone: 1300 656 956  
Email: sydney@autopool.com.au



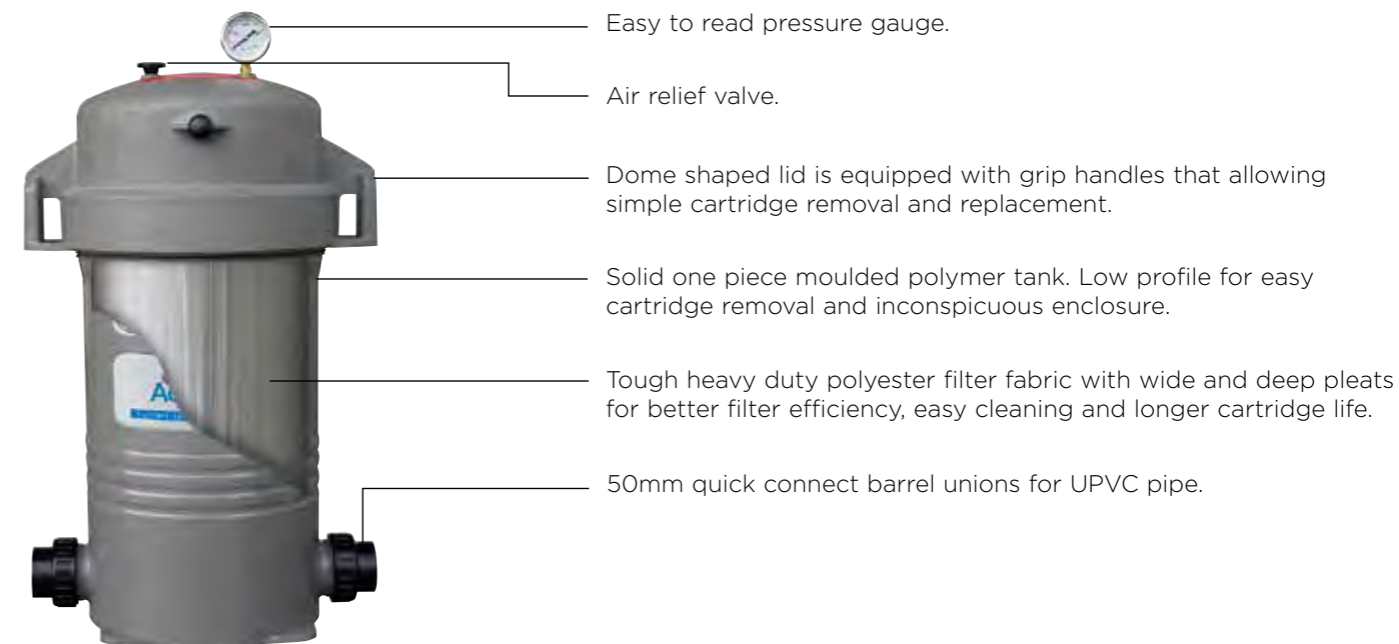
[www.autopool.com.au](http://www.autopool.com.au)

## Rugged Construction

Constructed from high impact polypropylene and designed for easy maintenance. Aquatight Summit cartridge filters will provide years of trouble free service.



- Easy to read pressure gauge.
- Hand operated lid lock ring, allowing simple cartridge removal and replacement.
- Solid one piece moulded polymer tank. Low profile for easy cartridge removal and inconspicuous enclosure.
- Tough heavy duty polyester filter fabric with wide and deep pleats for better filter efficiency, easy cleaning and longer cartridge life.
- 50mm quick connect barrel unions for UPV pipe.



- Easy to read pressure gauge.
- Air relief valve.
- Dome shaped lid is equipped with grip handles that allowing simple cartridge removal and replacement.
- Solid one piece moulded polymer tank. Low profile for easy cartridge removal and inconspicuous enclosure.
- Tough heavy duty polyester filter fabric with wide and deep pleats for better filter efficiency, easy cleaning and longer cartridge life.
- 50mm quick connect barrel unions for UPVC pipe.

## Extra Large Filter Cartridge

Aquatight Summit filter cartridges are fabricated from pleated reusable polyester fabric. The extra larger size cartridge has been pleated to provide 180ft<sup>2</sup> (16.7m<sup>2</sup>) 225ft<sup>2</sup> (20.9m<sup>2</sup>) & 270ft<sup>2</sup> (25.1m<sup>2</sup>) of surface area maximising its dirt holding capacity and minimising filter maintenance.



**Material:** Polyester fabric material, plastisol end caps and a polypropylene core.

**Operating Temperature:** 4°C to 50°C **Maximum Pressure Drop:** 20 kPa

## Simple Maintenance

The filter cartridge is easily cleaned by hosing the pleats with a standard garden hose.

## Technical Specifications

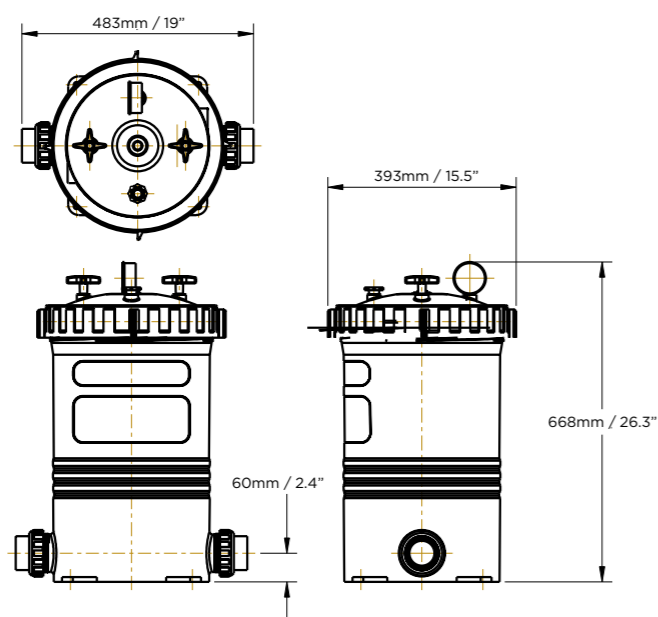
Model	Filter Area		Max Flow Rate lpm	Working Pressure		Max Pool Size litres
	(m <sup>2</sup> )	(ft <sup>2</sup> )		kPa	psi	
<b>Summit 180</b>	16.7	180	510	250	50	183,600
<b>Summit D225</b>	20.9	225	510	250	50	183,600
<b>Summit D270</b>	25.1	270	510	250	50	183,600

## Warranty

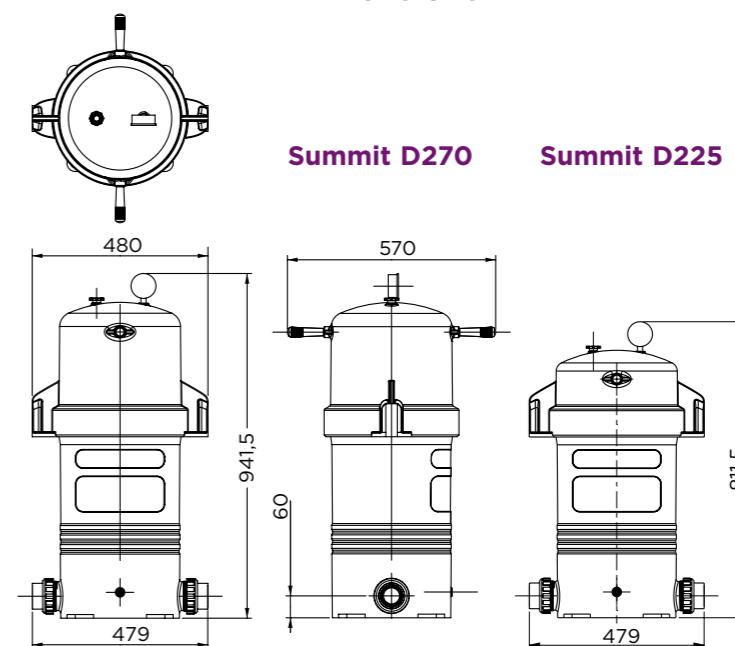
Summit Filter (Tank)	10 Years (5 Years Full + 5 Years Pro Rata)
Other Components	1 Year
Labour	1 Year

Please refer to Aquatight's warranty terms and conditions

## Dimensions



## Dimensions



\* Minimum Clearance Height to Remove Cartridge (mm)