



# SATURN MEDIA FILTER

## Superior strength and dependability

Designed to cope with the cyclic pressures of the modern day swimming pool, Aquatight Saturn filter vessels are precision injection moulded for superior strength and dependability.

Aquatight Saturn filters are ideal for pools equipped with in floor cleaning systems and high powered pumps.

- Granular media filtration
- 40 or 50mm Multiport valve for ease of use
- Pressure rated at 250 kPa
- Corrosion and UV resistant



## Superior Strength

Aquatight Saturn filters are considered one of the strongest filters within its class. Its filter vessel is precision injection moulded within minimal tolerances for enhanced structural strength.

Pressure rated at 250 kPa, Aquatight Saturn filters are ideal for pools equipped with in floor cleaning systems and high powered pumps.



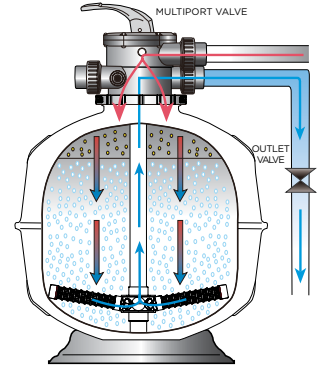
- 40 or 50mm Multiport valve with ergonomic handle and quick connect barrel unions
- Clear sight glass for backwash inspection
- Pressure gauge to determine the filter's capacity
- 40 or 50mm Multiport valve clamp provides 360° orientation of the Multiport valve for simple installation and service
- UV and corrosion resistant
- Hydraulically balanced flow distribution, to maximise filtration and backwashing
- Large filter base for stable floor mounting

Maximum working temperature of 50°C

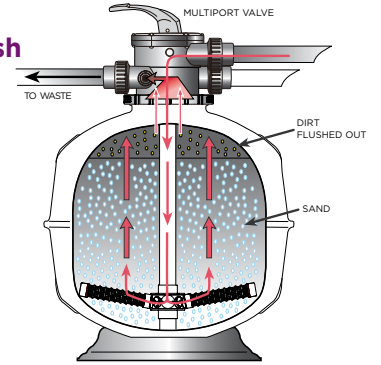
## Ease of Maintenance

Cleansing the filter simply requires turning the filter's multiport lever from the "filter" position to the "backwash" position, which reverses the flow of water in the filter, flushing the filter bed.

### Filter Mode



### Backwash Mode



## Technical Specification

Model No.	Valve Size (mm)	Inner Dia. (mm)	Filter Area (sq.m <sup>2</sup> )	Bed Depth (mm)	Max. Flow* (lpm)	Max. Pool Size (litres)	Min. Backwash (lpm)	Media Volume (litres)	Glass Pearl (kg)	Crushed Glass 0.5-1mm (kg)	Sand 16/30 (kg)	Zeolite 1 - 2.2 (kg)
S500	40	500	0.20	250	157	56,500	131	62	100	74	90	75
S600	40	600	0.28	250	226	81,000	189	89	144	107	130	107
S700	50	700	0.38	430	308	111,000	257	185	299	222	270	222

## Dimension (mm)

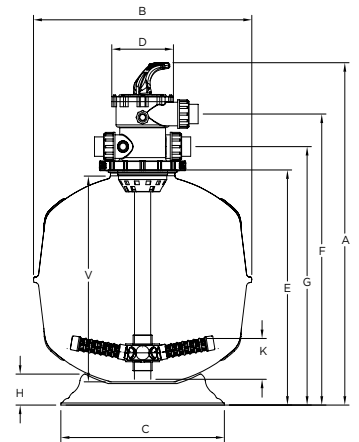
Model	Valve Size	A	B	C	D	E	F	G	H	V	K
S500	40	905	550	484	182	618	762	671	88	522	108
S600	40	942	650	484	182	655	799	708	88	560	115
S700	50	1226	755	620	220	902	1080	980	90	805	145

Residential flow rate based on a velocity of 48m<sup>3</sup>/hr/m<sup>2</sup>. Max. pool size is based on a 6hr turnover.

## Warranty

Exotuf Filters	10 Years (conditional)
Filter Tank	10 Years
Multi Port Valve & Other components	1 Year
Labour	1 Year

Please refer to Aquatight's warranty terms and conditions



### PERTH

4/115 Belmont Avenue,  
Belmont, WA 6104  
Australia

Phone: 1300 656 956  
Fax: 08 9361 3913  
Email: perth@autopool.com.au

### MELBOURNE

Australia

Phone: 1300 656 956  
Email: melbourne@autopool.com.au

### BRISBANE

Unit 2/5 Stockwell Place,  
Archerfield, QLD 4108  
Australia

Phone: 1300 656 956  
Fax: 07 3272 9091  
Email: brisbane@autopool.com.au

### SYDNEY

Australia

Phone: 1300 656 956  
Email: sydney@autopool.com.au

DISTRIBUTED BY:

autopool